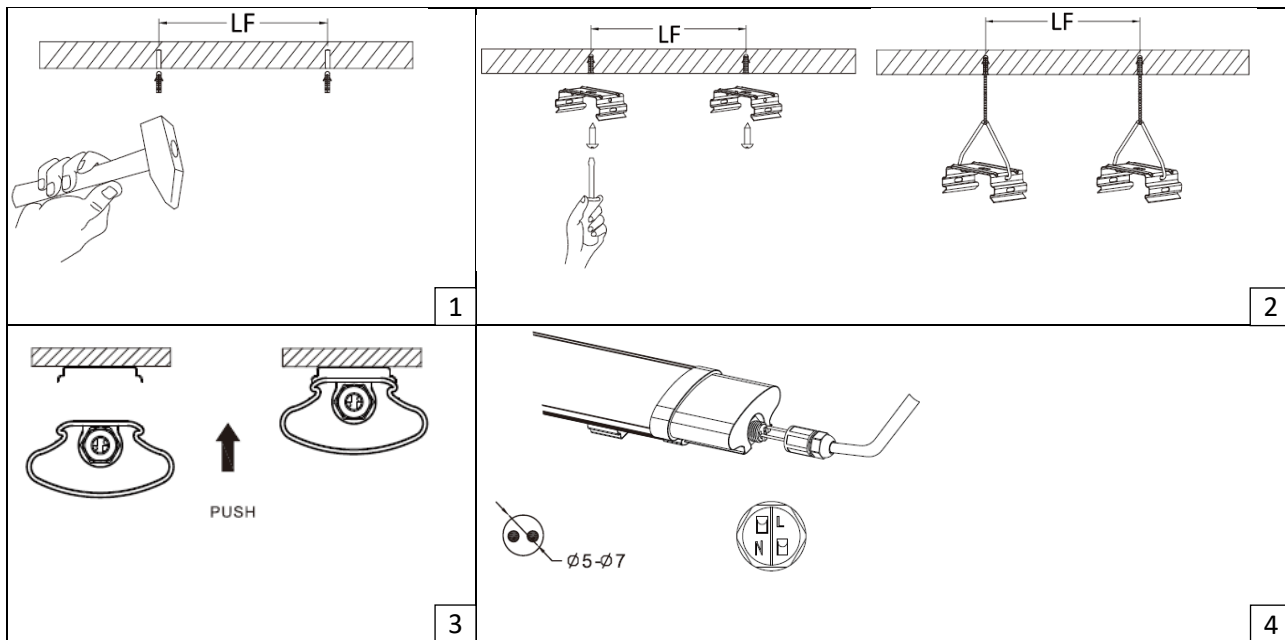


Dear customer, thank you for purchasing our product. Please read the following instructions carefully and follow them to serve you safely and to your full satisfaction. This will prevent misuse or damage. Avoid unprofessional handling of this appliance and always observe the electrical appliance usage guidelines. Keep the instruction manual carefully. Installation may only be carried out by a qualified. Switch off the power supply before installation.

### INSTALLATION

**Before installation, turn off the power supply.**

1. Insert the dowels into the pre-drilled holes.
2. Screw in or hang the bracket.
3. Attach the luminaire to the bracket.
4. Loosen the screw cap, thread the power cable through the hole and connect it to the luminaire. Please refer to the wiring inputs for a detailed description of the wiring. Tighten the screw cap after wiring.
5. Switch on the power supply.



### PARAMETERS

Power input	45W
Power	AC input 220 - 240V; output DC 405-430V, 105mA
Luminous flux	4500lm
Light temperature	4000K (neutral white)
Coverage	IP65
Material	PC
Dimensions	1540x78x40mm
Operating temperature	-20°C to +50°C

The light source of this luminaire is non-replaceable, at the end of its service life the whole luminaire must be replaced and dispose of it in a designated place. This product contains a light source which, for design reasons cannot be removed for verification and therefore the entire product is considered a light source.

